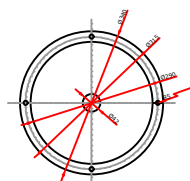
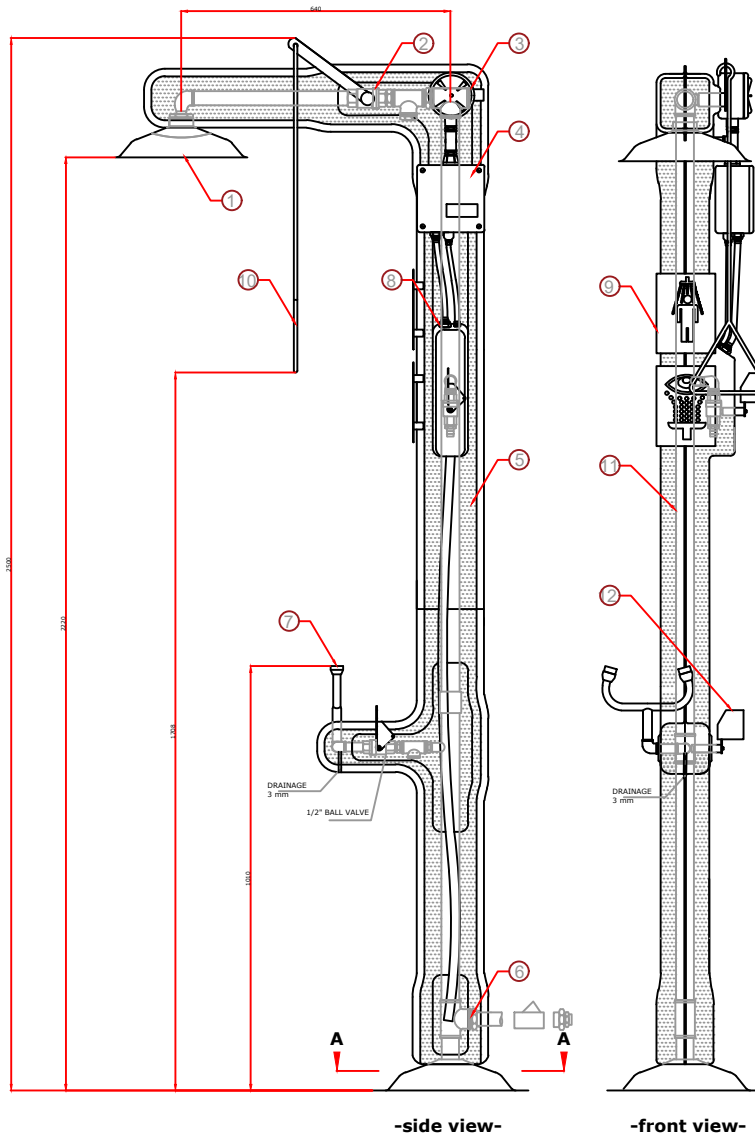


FREEZE PROOF CABLE HEATED AND INSULATED
EMERGENCY SHOWER AND EYEWASH
ISTEC Type ES-ICH & ESW-ICH



section A-A

NO.	DESCRIPTION	MATERIAL
12	Push Handle Control for Eyewash	Stainless Steel
11	1 1/4" Pipe	Stainless Steel
10	Pull Rod Control for Shower	Stainless Steel
9	Emergency Sign	PVC (Luminous)
8	Electrical Heating Tape	Ex-proof (Zone I) 15 kw / m
7	Spray Nozzles	Brass
6	1 1/2" Water Inlet	Stainless Steel
5	Insulation	Polietilen
4	Mechanic Thermostat	Ex-proof (Zone I)
3	Junction Box	Ex-proof (Zone I)
2	1" Ball Valve	Stainless Steel
1	Shower head Bowl (Ø300mm)	Stainless Steel

	A FIRST ISSUE SS FA ST	CUSTOMER
	REV. DATE DESCRIPTION DESIGNED CHECKED APPROVED	
STATUS FOR INFORMATION <input type="checkbox"/> FOR REVIEW <input type="checkbox"/> FOR APPROVAL <input type="checkbox"/>	FOR RFO/DESIGN <input checked="" type="checkbox"/>	DRAWING NUMBER/DATE: 44/16-1
ORIGINAL EDITION DESIGNED ✓ SS CHECKED ✓ TJA APPROVED ✓ ST	SIZE SCALE A4 1/100	SHEET: 1 OF: 1 DRAWING NAME: ISTEC Type ES-ICH & ESW-ICH

ООО «ТИ-СИСТЕМС» ИНЖИНИРИНГ И ПОСТАВКА ТЕХНОЛОГИЧЕСКОГО ОБОРУДОВАНИЯ

Интернет: www.tisys.ru www.tisys.kz www.tisys.by www.tesec.ru www.ти-системс.рф

Телефоны: +7 (495) 7774788, 7489626, 5007155, 54 Эл. почта: info@tisys.ru info@tisys.kz info@tisys.by